

SHP800L-35-CYL

Semi-Solid-State



Capacity / Voltages

Typical	35.00 Ah	Voltages	Nominal	3.58 V
	125.3 Wh		Maximal	4.25 V
			Minimal	2.5 V

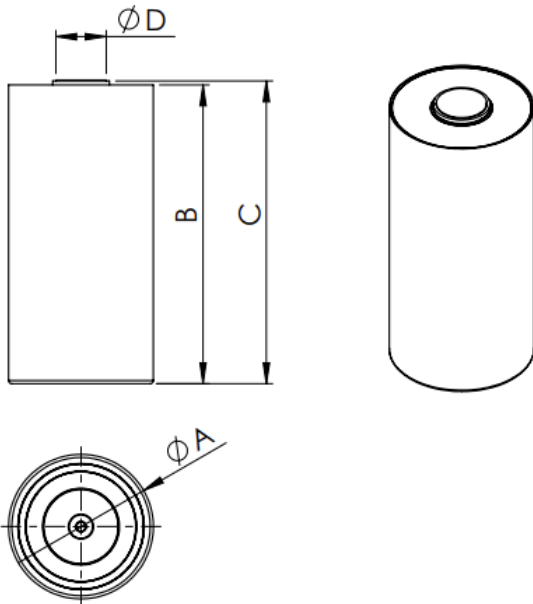
Characteristics

Discharging	Fast	3 C	Charging	Fast	3 C
	Standard	0.33 C		Standard	0.33 C

Temperatures	Discharge	-30 - 55°C	Charge	-20 - 55°C
---------------------	-----------	------------	--------	------------

Energy Density	Gravimetric	291 Wh/kg	Volumetric	793 Wh/l
-----------------------	-------------	-----------	------------	----------

Dimensions



A	Diameter	46 ± 0.2 mm
B	Height	95 ± 0.3 mm
C	Total height	96.6 ± 0.3 mm
D	Positive Terminal Diameter	16 ± 0.1mm
	Weight	430 ± 5g

The information contained herein is for reference only and does not imply a performance guarantee or a product warranty. Specifications and characteristics are subject to change without prior notice. General tolerance according to ISO 2768-m-K. For more information and detailed specifications, please request the extended datasheet.

